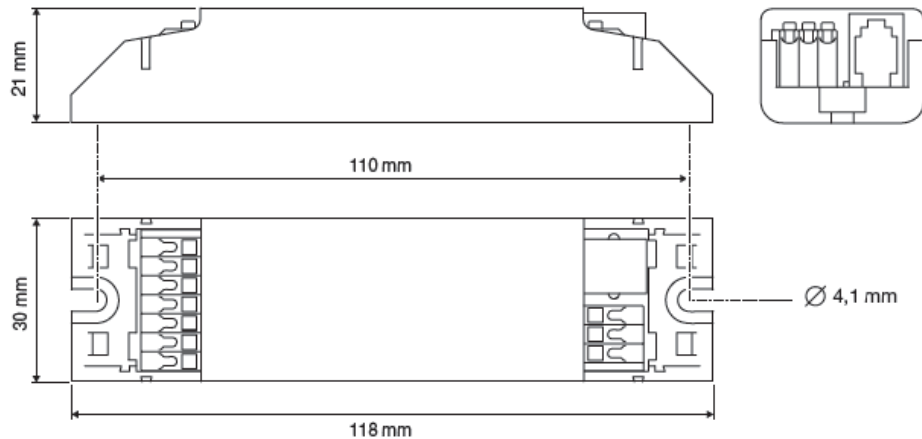


# DALIeco Control

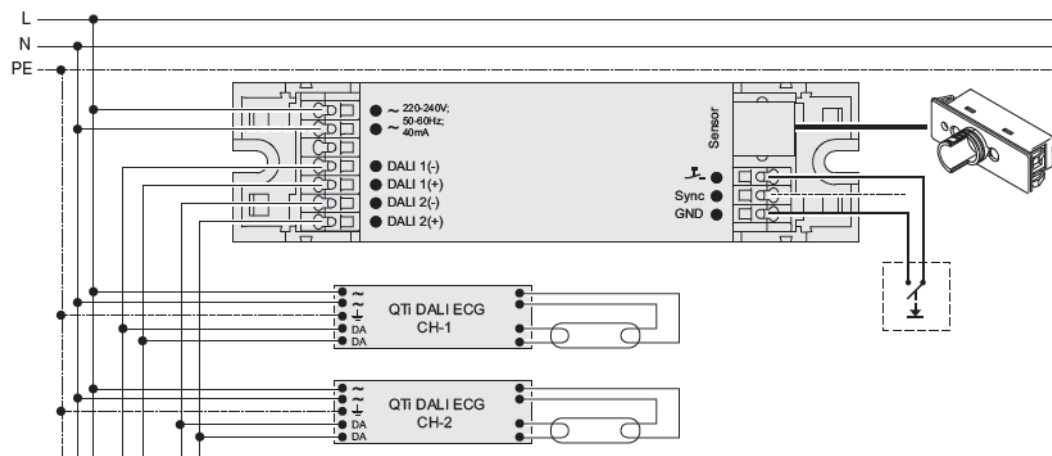
## Technical information

Edition: October 2012  
Subject to change without any notice

## Design & Dimensions



## Wiring diagram



## Technical data

|                             |   |
|-----------------------------|---|
| <b>Designation:</b>         | DALIeco Control   |
| <b>Mains connection:</b>    | L, N; 220-240 V AC, 50-60 Hz  |
| <b>Power consumption:</b>   | 0,2 W – 3,0 W (depends on amount of ECGs/sensors connected)   |
| <b>DALI output:</b>         | <ul style="list-style-type: none"><li>• max. 64 mA (in total over both channels, asymmetric load allowed)</li><li>• max. cable length: 100m (per channel)</li></ul> |
| <b>Push button input:</b>   | <ul style="list-style-type: none"><li>• Potential-free closing contact, max. cable length: 50m</li></ul>  |
| <b>Sensor connection:</b>   | <ul style="list-style-type: none"><li>• Up to 4 DALIeco LS/PD LI sensors connectable</li><li>• max. cable length: 25m (in total to all sensors)</li></ul>           |
| <b>Ambient temperature:</b> | <ul style="list-style-type: none"><li>• -20 °C ...+ 50°C (in operation)</li></ul>   |
| <b>Type of protection:</b>  | IP 20   |
| <b>Protection class:</b>    | II  |
| <b>CE requirements:</b>     | EMV complies with EN 61547 and EN 55015<br>Safety complies with EN 61347-2-11 and EN 60598  |